

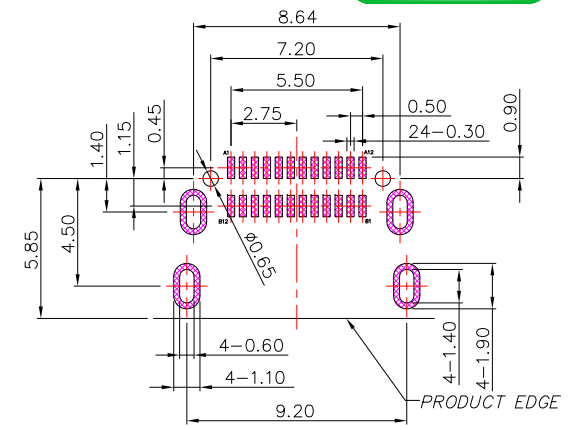


# SBC-240S32A-31x-S338

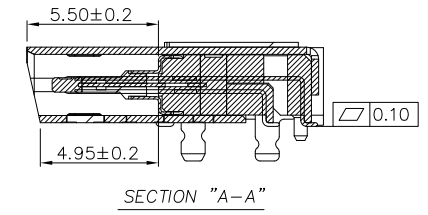
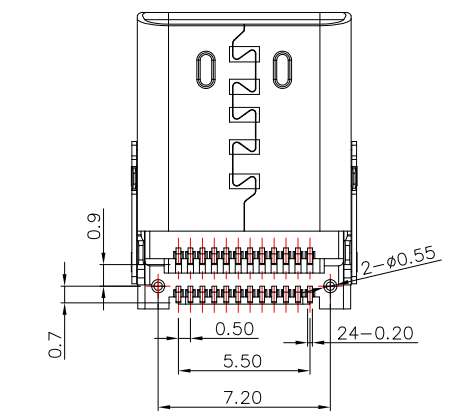
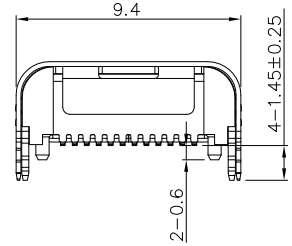
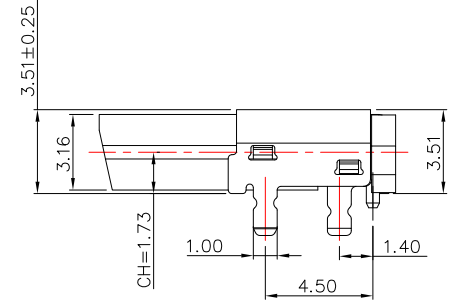
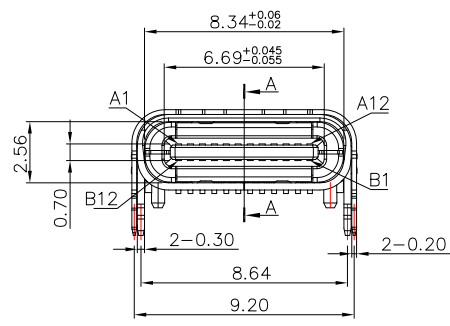
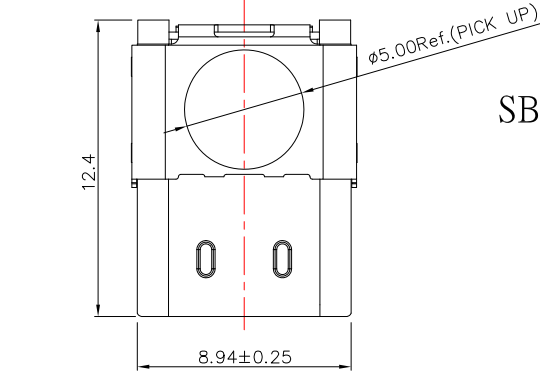
鍍層厚度:

Blank : 1u"
2 : 15u"
3 : 30u"

Pin	Signal Name	Mating Sequence	Pin	Signal Name	Mating Sequence
A1	GND	First	B12	GND	First
A2	SSTXp1	Second	B11	SSRXp1	Second
A3	SSTXn1	Second	B10	SSRXn1	Second
A4	V <sub>BUS</sub>	First	B9	V <sub>BUS</sub>	First
A5	CC1	Second	B8	SBU2	Second
A6	Dp1	Second	B7	Dn2	Second
A7	Dn1	Second	B6	Dp2	Second
A8	SBU1	Second	B5	CC2	Second
A9	V <sub>BUS</sub>	First	B4	V <sub>BUS</sub>	First
A10	SSRXn2	Second	B3	SSTXn2	Second
A11	SSRXp2	Second	B2	SSTXp2	Second
A12	GND	First	B1	GND	First
SHELL	GND		SHELL	GND	



RECOMMENDED P.C.B LAYOUT (TOP VIEW)



## SPECIFICATIONS

### Electrical:

- 1.Rating: 5.0 A for VBUS
- 2.Dielectric Withstand Voltage: 100V AC
- 3.Contact Resistance: 40 mΩ Max
- 4.Insulation Resistance: 100 MΩ Min

### Mechanical:

- 1.Connector Mate and Unmate Force
  - 1.1 Mate force: 5~20 N
  - 1.2 Unmate force: 8~20 N

### Material:

- 1.Housing: LCP
- 2.Contact: C7025
- 3.Shell: SUS

### Finish:

- 1.Contact: Plated Gold in Mating Area ;  
Tin Plated on Solder Balls ;  
Nickel under plated overall
- 2.Shell: Nickel under Plated surface layer

**CONTACT** 建倚科技股份有限公司  
CONTACT TECHNOLOGY CORP.

TOLERANCE UNLESS OTHERWISE STATED:  
 Up to 5 ±0.2  
 Above 5 ~ 15 ±0.3  
 Above 15 ~ 30 ±0.4  
 Above 30 ~ 50 ±0.5  
 Angle ±0.3°

3RD. ANGEL'S



UNITS

MM

DRAWN BY:	DATE	MAT'L	TITLE	CONNECTOR
Jack Lu	03/02/23			
CHECKED BY:	DATE	FINISH	MODLE	TYPE CF 3.1 斜口雙殼板上雙排 L12.4mm
Jacky Chen	03/02/23			
APPROVED BY:	DATE	SCALE	DWG NO.	SBC-240S32A-31x-S338
Tony Kao	03/02/23	1 : 1	PART NO.	SBC-240S32A-31x-S338
		SHEET NO.	1 of 1	
			SIZE	A4
			VER	R

ITEM NO.	DESCRIPTION	DRAWN	DATE